



[www.byberg.no](http://www.byberg.no)

**BY60** series, is a small Stainless steel, high quality cylinder designed and manufactured according to DNV certification 2.9 TAP No. 5-778.93.

The product is especially designed to operate in harsh environment and for subsea use

The cylinder body is made out of one bar, for a solid structure without any welding.

Standard models are available from stock on short notice, tested and with full documentation.

The cylinders are delivered with aligning spherical bearing, inside or outside thread on rod. And flange or bearing on cylinder body. Flushing ports are also included.

**Dimension range:** Piston diameter from Ø 25mm – Ø 50mm.

**Design pressure:** 210 bar.

**Test pressure:** 315 bar.

**Operating temperature:** - 20°C to + 80°C

**Operating depth:** Max 3000m BSL

**Traveling speed:** Max 0.5 m/sec. (Non-stop speed)

**Rod material:** 1.4418 with 25µ chrome +/- 0.5µ

**Cylinder material:** AISI 316

**Seals:** Polyurethane / Nitrile

**Spherical bearing:** Stainless steel

---

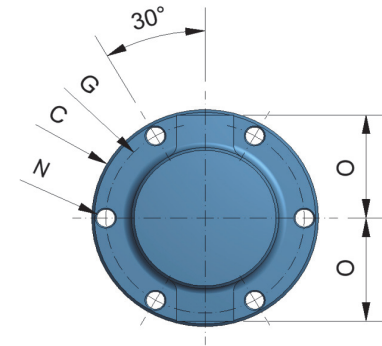
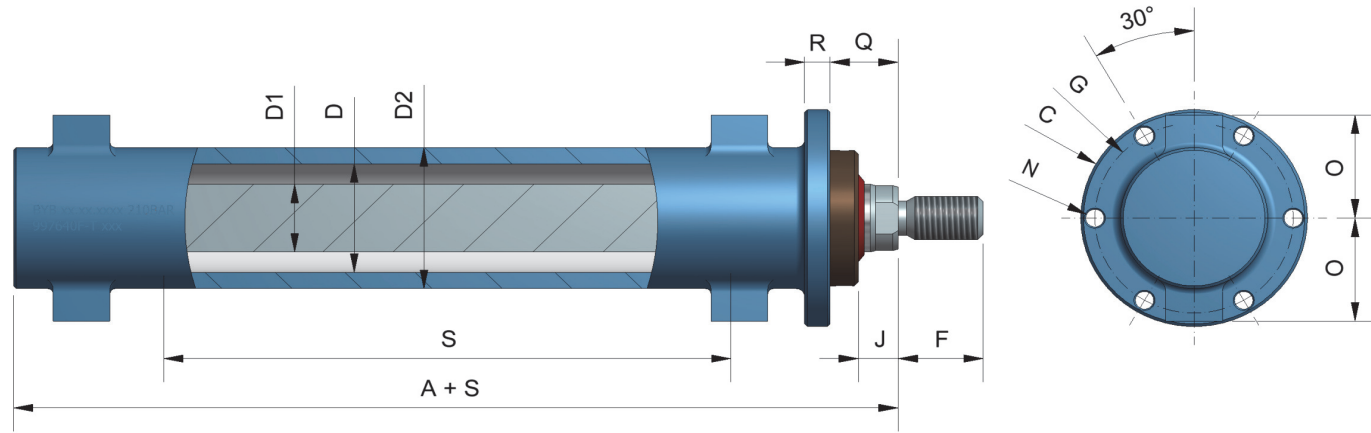
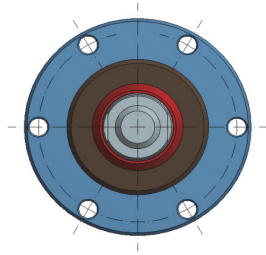
#### **Byberg AS**

Post and visit adress:  
Kjøpmannsbrotet 1  
NO – 4352 Kleppe

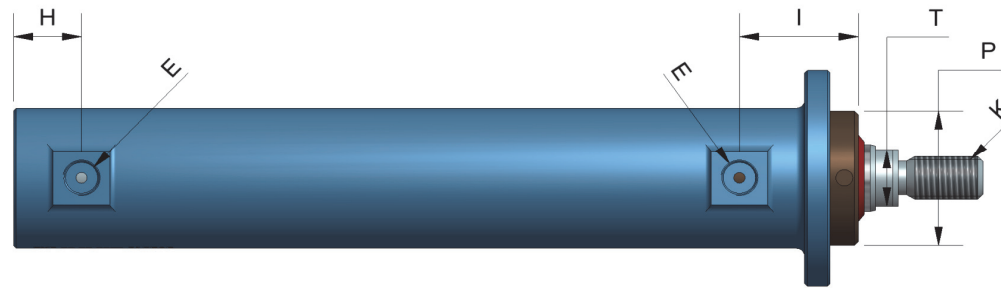
Phone: (+47) 51 78 90 30  
Telefax: (+47) 51 42 00 01  
e-mail: [post@byberg.no](mailto:post@byberg.no)

Organization number  
NO 991 358 919 MVA  
Internet: [www.byberg.no](http://www.byberg.no)

# BY60FT



**STAINLESS STEEL  
FOR SUBSEA USE  
MAX WP. 210 BAR**



D	D1	D2	A	S	K	C	E	F	G	H	I	J	N	O	Q	R	T	P	PUSH	PULL	ART.NO.:	WEIGHT
Ø25	Ø12	Ø35	76	100	M10x1,5	Ø65	1/8" BSP	17	Ø52	14,5	31	11	6x Ø6,5	27,5	16	8	SW 9	Ø35	1,03 T	0,73 T	997646F-T	1,2 KG
Ø32	Ø16	Ø42	82	135	M14x2	Ø70	1/8" BSP	26	Ø60	21	28,5	11	6x Ø6,5	31	15	8	SW 14	Ø42	1,68 T	1,26 T	997642F-T	1,8 KG
Ø40	Ø20	Ø52	112	200	M16x2	Ø80	1/4" BSP	30	Ø70	24	42	14	6x Ø6,5	38	24	9	SW 17	Ø50	2,63 T	1,97 T	997637F-T	3,8 KG
Ø40	Ø25	Ø52	112	200	M16x2	Ø80	1/4" BSP	30	Ø70	24	42	14	6x Ø6,5	38	24	9	SW 21	Ø50	2,63 T	1,60 T	997640F-T	4,1 KG
Ø50	Ø25	Ø65	141	200	M20x2,5	Ø100	1/4" BSP	36,5	Ø85	32	50	17	6x Ø8,5	44,5	27	12	SW 21	Ø60	4,12 T	3,09 T	997633F-T	6,6 KG
Ø50	Ø30	Ø65	141	200	M20x2,5	Ø100	1/4" BSP	36,5	Ø85	32	50	17	6x Ø8,5	44,5	27	12	SW 26	Ø60	4,12 T	2,63 T	997634F-T	7,0 KG