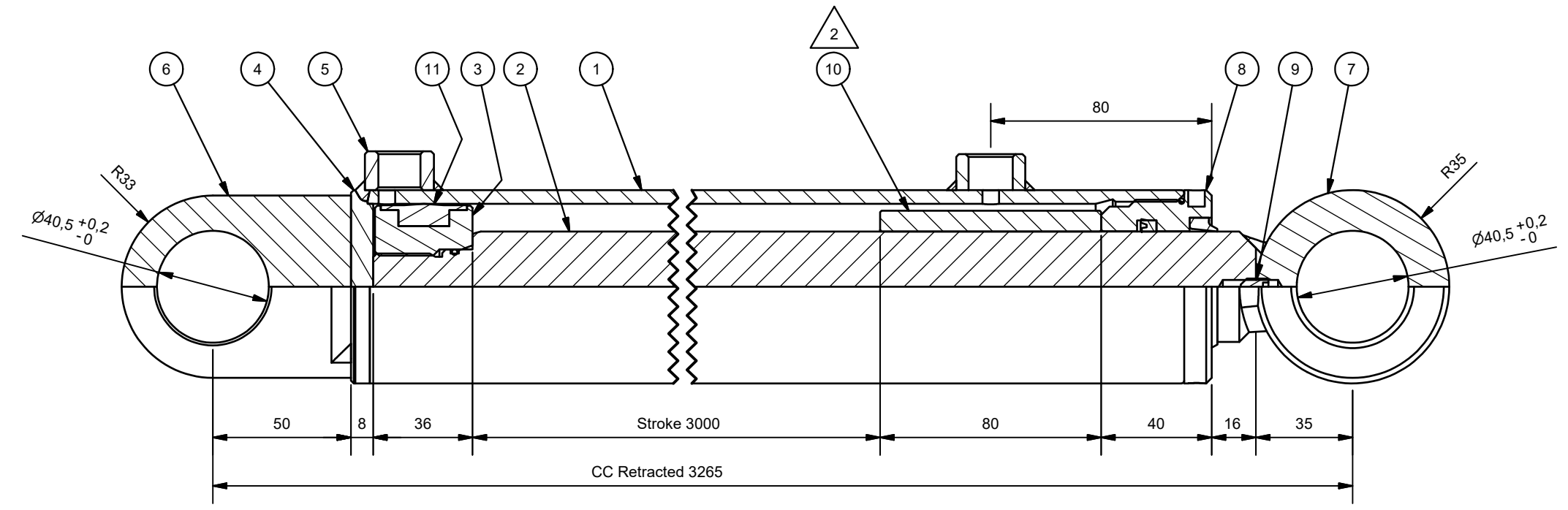
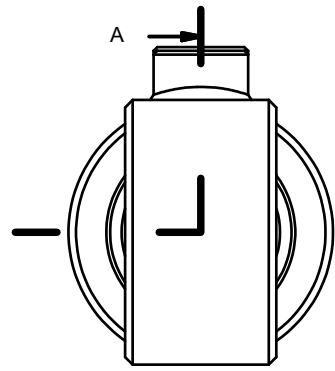
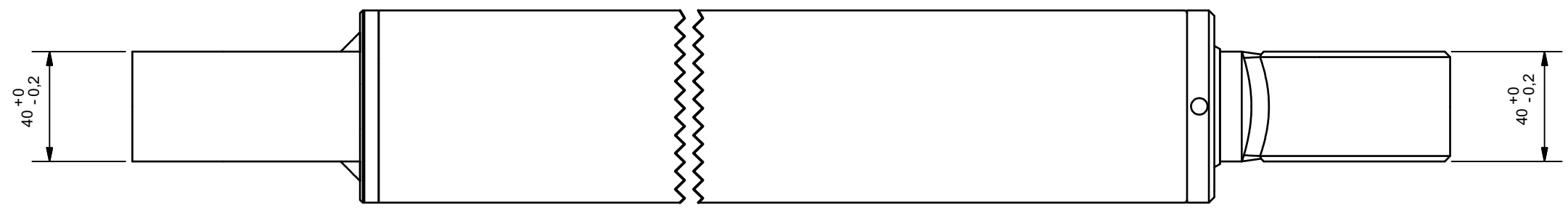
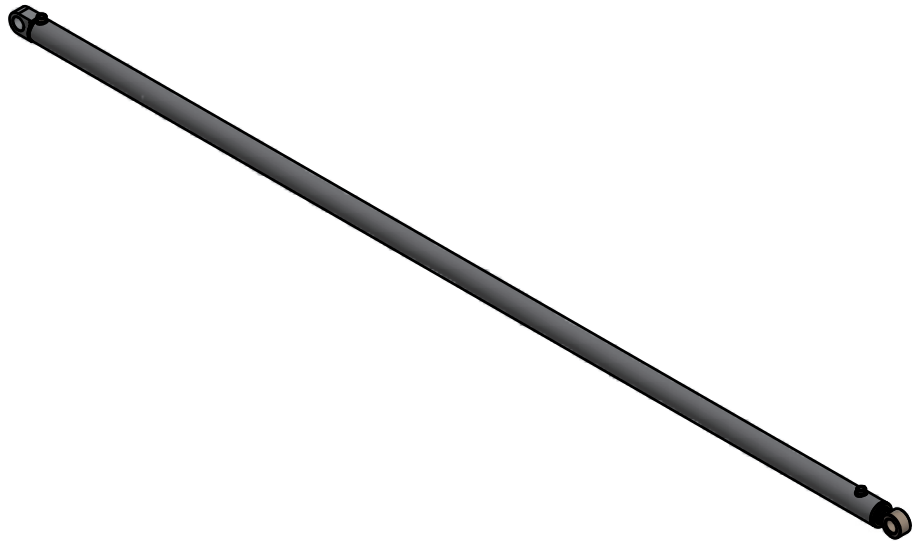


Generelle toleranser:
 -Ikke toleransesatte mål: NS-ISO 2768-1 M
 -Overflatefinhet: Ra 3.2
 -Skarpe kanter rundes R0.5



Total weight without oil: **60,3 kg**



11	SEAL KIT Ø 60/40	1	1375.iam															
10	Stroke Limiter	1	997962-80.ipt	E355+SR														
9	Set-screw M 6 x 10 Din 914	1	10429.ipt	Steel														
8	Gland Ø 60/ 40 x 40	1	990022.ipt	GGG-40														
7	Front support	1	992252-2.ipt	S355J2 / 520M														
6	End support	1	992252-1.ipt	St52														
5	Hub 3/8" BSP x 14	1	990303.ipt	S355J2 / 520M														
4	Bottom Ø 60 x 8	1	991455.ipt	S355J2 / 520M														
3	PISTON Ø 60	1	400001.ipt	11SMnPb30 (SS1914)														
2	Piston rod Ø40	1	992239-2.ipt	Cromax 280X														
1	Cylinder tube Ø70/60	1	992241-2.ipt	E355+SR														
Pos. nr.:	Benevnelse:	Antall:	FILE NAME	MATERIAL														
Format:	Fil:		990200B.idw															
Skala:	Konstr.:		H.S.															
	Dato:		11.09.2001															
	Godkjent:																	
	Dato:																	
<table border="1"> <tr> <th>REV</th> <th>DESCRIPTION</th> <th>DATE</th> <th>APPROVED</th> </tr> <tr> <td>2</td> <td>Before Art no.: 992251</td> <td>30.05.2018</td> <td>MB</td> </tr> <tr> <td>1</td> <td>Issued for production</td> <td>11.09.2001</td> <td>MB</td> </tr> </table>			REV	DESCRIPTION	DATE	APPROVED	2	Before Art no.: 992251	30.05.2018	MB	1	Issued for production	11.09.2001	MB	<table border="1"> <tr> <td>Detail:</td> <td>Ø60/40x3265+3000 MAKESYLINDER</td> </tr> </table>		Detail:	Ø60/40x3265+3000 MAKESYLINDER
REV	DESCRIPTION	DATE	APPROVED															
2	Before Art no.: 992251	30.05.2018	MB															
1	Issued for production	11.09.2001	MB															
Detail:	Ø60/40x3265+3000 MAKESYLINDER																	
<table border="1"> <tr> <td>Tegn nr.:</td> <td>990200B</td> </tr> </table>			Tegn nr.:	990200B	<table border="1"> <tr> <td>Overflatebehandling:</td> <td>PRIMET SVART LAKK</td> </tr> </table>		Overflatebehandling:	PRIMET SVART LAKK										
Tegn nr.:	990200B																	
Overflatebehandling:	PRIMET SVART LAKK																	

